

# Faxitron<sup>™</sup> Core Specimen Radiography System

## Immediate core sample verifications.

The Faxitron Core system eliminates delays by providing high resolution images without interrupting the mammography workflow.



## Faxitron<sup>™</sup> Core Specimen Radiography System



### Optimization

Experience easy core alignment with the built-in drawer that accommodates a variety of core containers.



### Workflow improvement

Located directly in the stereotactic suite. This self-contained, compact unit allows for optimal placement without impacting the point of care environment.



### Automatic calibration

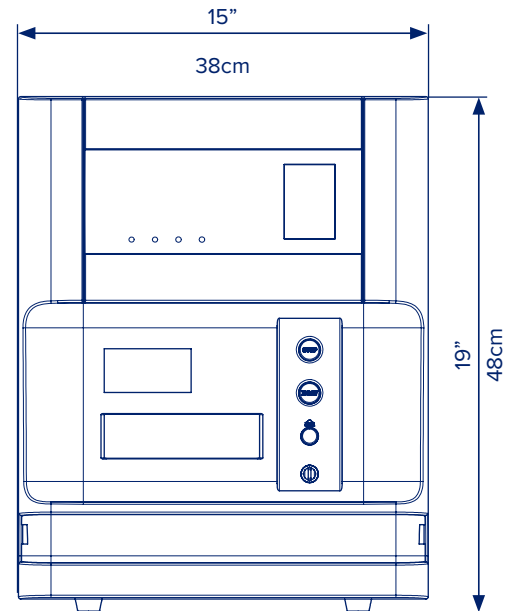
At a touch of a button, improve core specimen imaging with auto-calibration. This easy to use Faxitron Core system requires no additional training or specialization.

# Technical Specifications

The compact unit can be located directly in the stereotactic suite, only steps from the table.

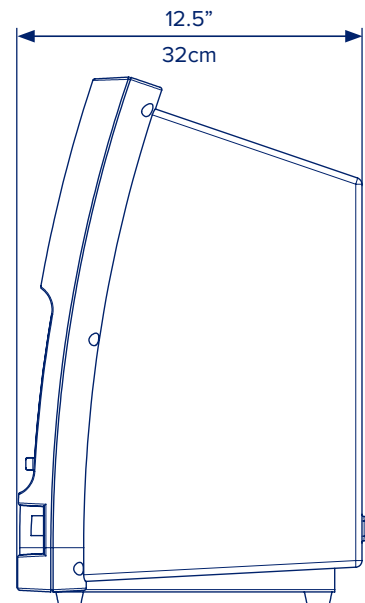
With one touch of a button, a successful biopsy procedure is confirmed. Images can be instantly sent to multiple destinations without interrupting the mammography workflow.

Features & Benefits	
Instant confirmation of a successful biopsy procedure	
No additional x-ray shielding required	
No specialized x-ray knowledge needed to operate	
Small footprint to minimize intrusion in point of care environment	
Uses radiographically optimized core containers for easy alignment	
One button operation with Automatic Exposure Control (AEC) for optimal image quality	
AEC optimized for detecting micro-calcifications	
Leading-edge image processing software for calcification enhancement	
Images instantaneously displayed on 24" high resolution 3.7MP monitor (included)	
DICOM compliant software with efficient access to modality work list and PACS store and print options	
Ability to send multiple annotated images to PACS at the touch of a button	
Automatic calibration and self-diagnostic capability	



Specifications	
Spatial resolution	14lp/mm with fixed 1.4X geometric magnification
Energy range	20- 30kV
Tube current	0.35mA
Window filtration	0.2mm Be, tungsten source
DICOM Interface	Store, Annotate, Print & Modality Work List
Power	100-240 VAC, 50/60 HZ, 150 W Max
Dimensions	15" W x 12.5" D x 19" H (38cm x 32cm x 48cm)
Weight	40lbs (18kg)

Specimen Imaging Area
5cm x 10cm (2" x 4")



*Faxitron™ Core System also known as CoreVision® System.*

**www.hologic.ca | Canada2@hologic.com | 1-877-209-7192**

MISC-05911-CAN-EN Rev 001 (02/20) Hologic Inc. ©2020 All rights reserved. Hologic, The Science of Sure, Faxitron, CoreVision and associated logos are trademarks and/or registered trademarks of Hologic, Inc., and/or its subsidiaries in the United States and/or other countries. This information is intended for medical professionals and is not intended as a product solicitation or promotion where such activities are prohibited. Because Hologic materials are distributed through websites, eBroadcasts and tradeshow, it is not always possible to control where such materials appear. For specific information on what products are available for sale in a particular country, please contact your local Hologic representative.