

Trident® HD Specimen Radiography System

Precise. Efficient. Intuitive.

With the Hologic Trident® HD Specimen Radiography System, you know with certainty.

When it comes to performing breast conserving surgeries or stereotactic breast biopsies, nothing is more important than being sure.

Have the markers been captured? Are the margins clear? Are the targeted calcifications visible?

Now you can have highly detailed imaging for rapid verification, right in the OR or procedure room. Trident® HD system's sleek, modern, ergonomic design yields a small footprint, making it easy to manoeuvre, yet its imaging area is large enough to accommodate a large range of sample sizes.

No transporting the specimen to another room for imaging. No waiting for margin confirmation. No costly scheduling delays.



Faxitron™
Trident® HD
Specimen Radiography System



Precise

Exceptional Image quality

- Same detector technology as the market leading Dimensions® platform and Affirm® prone system: amorphous selenium direct capture imaging to render crisp, clear, high resolution images.
- Compare specimen image with original mammogram or biopsy on one screen.
- Automated Exposure control (AEC).



Efficient

Improved workflow

- Instant verification right in the procedure or operating room results in faster completion time without the need to wait for margin confirmation.
- Easy integration to facility and WiFi.
- Ability to send images to SecurView™ DX Workstation or PACS with a single touch.



Intuitive

Ease of use

- Intuitive control panel and software interface.
- Robust tool set including annotate, measure and zoom.
- Easy to clean, modern enclosed design.
- Small footprint to maximize operating room space.

Technical Specifications



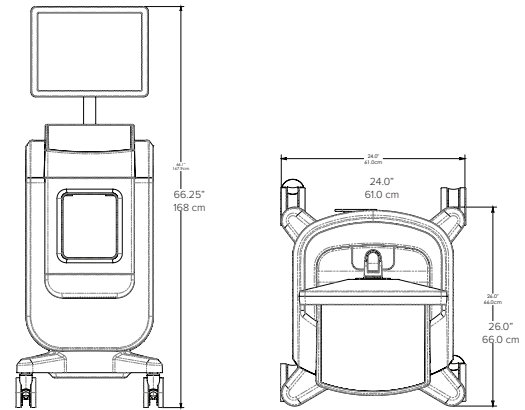
Electrical Requirements	
Input Line Voltage	100-240 VAC
Peak Input Power	700 W
Frequency	50/60 Hz \pm 2%
Peak line current	<6 amps
Line connection	Standard line cord and plug - medical grade

Physical	
Construction	Fully Integrated System with movable base casters
Dimensions	168 \pm 2 cm x 61 cm x 66 cm (HxWxD)
Weight	132 kg

Digital Image Receptor	
Detector Technology	TFT-based direct capture technology
X-ray Absorption Material	Amorphous selenium
Active Imaging Area Size	Full-field Detector: 16 x 18 cm nominal
Pixel Size	70 μ m
Limiting Spatial Resolution	7.1 lp/mm in 1.0x contact mode
Output Image	14-bit image data

Acquisition Workstation	
CPU	Multi-core Intel
Memory	8 GB RAM
Hard Disk	Solid State Drive 512GB
Storage Media Interface	USB 3.0
Display Monitor	2MP High luminescence diagnostic monitor
Operating System	Windows 10
Network Connection	Network Connection 10 / 100 / 1000 BASE-T Ethernet Wi-Fi 802.11a/b/g/n/ac 2.4 and 5GHz bands
DICOM Services	Worklist, print, storage, query, retrieve
User Interface	Touchscreen, Touch Pad

Image Display	
Image Processing	Optimized display of core and surgical specimens, preset and manual window/level, invert
Visualization Enhancement	Five user-selectable levels of image sharpening
Magnification	Image zoom
Annotations	Ellipse, arrow, ruler, text box, comments
Multi-up	1- and 2-up. Ability to download prior images and display in split screen side by side.



X-ray Source	
Energy Range	20-50 kV
Anode Material	Tungsten
Tube Current	1 mA
Exposure	Up to 20 mAs
Focal Spot Size	\leq 55 μ m
X-Ray Window	Beryllium 200 μ m

Exposure Modes	
Manual	User selects kV and mAs
Auto	System determines optimum kV and mAs

Cabinet	
Safety Features	User login required, door interlock, fully shielded
Indicators	Power, door closed, ready, x-ray on
Magnification	Specimen tray positions at 1.5x and 2.0x, auto-sensed
Other	Lighted cabinet with shielded viewing window on door (Laminated RD30 leaded glass, 0.5 mm pb equiv.), easily cleaned

Accessories	
	Specimen tray
	User manual, quick start guide, training videos, service and cleaning

Optional Equipment	
	Handheld barcode scanner
	Dust cover

www.hologic.com | canada2@hologic.com | 1-877-209-7192