

# Hologic Affirm®

## Lateral Arm Upright Biopsy Accessory

**Optimize your approach.** Now you can confidently target challenging lesions and successfully biopsy thinly compressed breasts with the Hologic® Affirm® lateral arm upright biopsy accessory for the Selenia® Dimensions® system. **This versatile, easy-to-use device** enables needle access parallel to the detector – from either the lateral left or lateral right position. So you can choose the optimal approach based on each patient’s anatomy and lesion location to accelerate and simplify biopsy procedures.



### Easy lesion access.

Improve lesion access for thinly compressed breasts (<3 cm) by approaching the lesion perpendicular to the direction of compression. This provides sufficient room to access the lesion and fire the needle parallel to the detector – without impacting the compression platform or penetrating the breast in many cases.



### Flexible patient positioning.

Positioning patients in constrained spaces is always a challenge. The Affirm® lateral arm offers a number of options in biopsy rooms where decubitus positioning or rotating the C-arm may not be possible. Patients can often remain seated without sacrificing lesion accessibility.

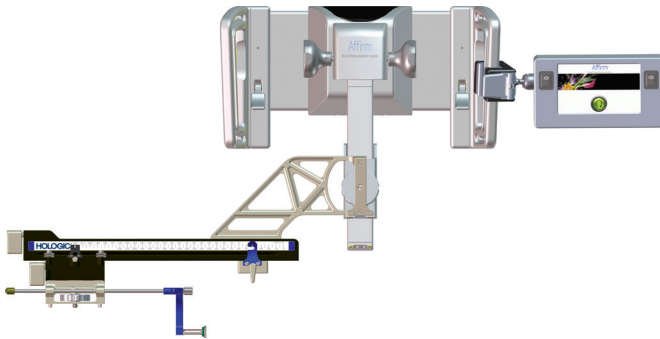


### Intuitive needle visualization.

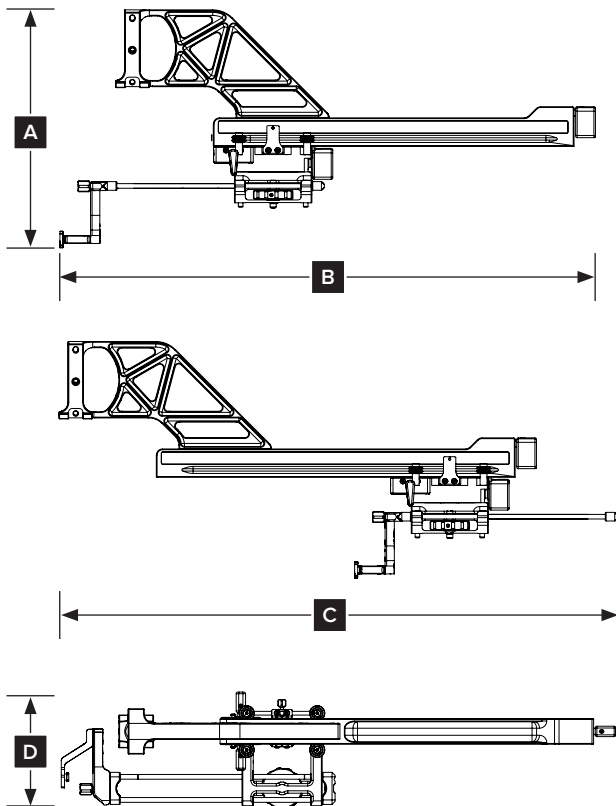
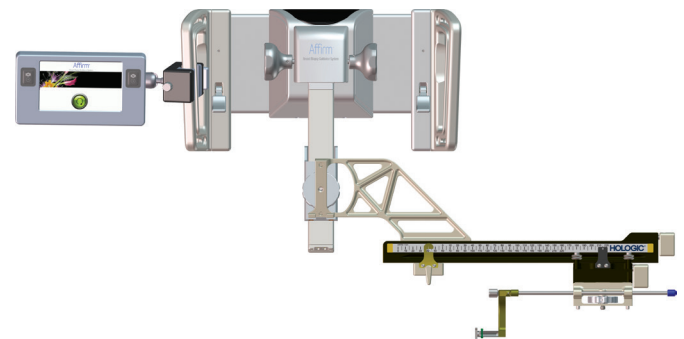
Experience improved 3D™ visualization of the biopsy needle in the breast with virtually no imaging artifacts found in the standard approach. By presenting the needle parallel to the detector, it's easier to see the needle aperture and more intuitive to make adjustments.

**The choice is yours.** The Affirm® lateral arm can be mounted to the biopsy guidance module from either the left or the right side. Simply determine the desired approach, mount the lateral arm, and follow the on-screen prompts.

**Left Approach of Lateral Arm**



**Right Approach of Lateral Arm**



**Lateral Arm – Specifications**

A. Height	24.4 cm (9.6 inches)
B. Width (biopsy device mount and needle guide extended toward lateral arm mount)	53.0 cm (20.9 inches)
C. Width (biopsy device mount and needle guide extended away from lateral arm mount)	57.4 cm (22.6 inches)
D. Depth	11.5 cm (4.5 inches)
E. Weight	1.24 kg (2.73 pounds)

**Lateral Arm – Range of Motion**

Accuracy of biopsy guidance module and lateral arm	Maximum deviation: 1 mm in either direction of target coordinate
Combined accuracy of biopsy guidance module, lateral arm, and biopsy device	Maximum deviation: 2 mm in either direction of target coordinate
Range of movement	Lateral X-axis: 22 cm

[www.hologic.com](http://www.hologic.com) | [info@hologic.com](mailto:info@hologic.com) | +1.781.999.7300

**Hologic Headquarters**  
United States / Latin America  
250 Campus Drive  
Marlborough, MA 01752  
USA Tel: +1.508.263.2900  
Sales: +1.781.999.7453  
Fax: +1.781.280.0668  
Email: [info@hologic.com](mailto:info@hologic.com)

**Hologic Europe**  
The Corporate Village  
Da Vincilaan 5  
Building Caprese,  
8th floor  
1935 Zaventem, Belgium  
Tel: +32.2.711.4680  
Fax: +32.2.725.2087

**Hologic Asia Pacific**  
7th Floor, Biotech Centre 2  
No. 11 Science Park West Avenue  
Hong Kong Science Park  
Shatin, New Territories, Hong Kong  
Tel: +852.3748.7700  
Fax: +852.3526.0723

**Hologic Australia**  
Suite 402, Level 4  
2 Lyon Park Road  
Macquarie Park NSW 2113  
Australia  
Tel: +61.2.9888.8000  
Fax: +61.2.9870.7555

DS-09246 Rev004 (7/22) Hologic Inc. ©2022 All rights reserved. Hologic, 3D, 3D Mammography, Affirm, Dimensions, Eviva, Selenia, The Science of Sure, and associated logos are trademarks and/or registered trademarks of Hologic, Inc., and/or its subsidiaries in the United States and/or other countries. This information is intended for medical professionals in the U.S. and other markets and is not intended as a product solicitation or promotion where such activities are prohibited. Because Hologic materials are distributed through websites, eBroadcasts and tradeshows, it is not always possible to control where such materials appear. For specific information on what products are available for sale in a particular country, please contact your local Hologic representative.